

Department of Engineering  
Tim Bryan, P.E., PTOE, County Engineer

3137 South Liberty Street, Canton, MS 39046  
Office (601) 855-5582 FAX (601) 859-5857

**MEMORANDUM**

August 6, 2024

To: Casey Brannon, Supervisor, District I  
Trey Baxter, Supervisor, District II  
Gerald Steen, Supervisor, District III  
Karl Banks, Supervisor, District IV  
Paul Griffin, Supervisor, District V

From: Tim Bryan, P.E., PTOE  
County Engineer

Re: Flock Safety  
County Road Name, S#002 Deerfield Club Drive at Yandell Road Outbound/SB

The Engineering Department recommends approval for Flock Safety to install one new ALPR camera for Deerfield Subdivision HOA and the county road names listed below due to Madison County right of way.

- S#002 Deerfield Club Drive at Yandell Road Outbound/SB

---

CASEY BRANNON  
District One

TREY BAXTER  
District Two

GERALD STEEN  
District Three

KARL M. BANKS  
District Four

PAUL GRIFFIN  
District Five

Revised: 2/14/2019



**PERMIT APPLICATION FOR THE CONSTRUCTION OR ADJUSTMENT OF A UTILITY WITHIN COUNTY ROAD RIGHT-OF-WAY**

Utility Information: Utility Name: Madison County ROW

Address: 1170 Howell Mill Road NW Ste 210 City/State/Zip: Atlanta, GA 30318

Contact Person: Katelyn Killian Contact's Phone: 727-454-6215

Project Information: County Road Name: S#002 Deerefield Club Dr @ Yandell Rd Outbound/SB

(If located within more than one road right-of-way, use Appendix 1 for additional descriptions)

Beginning Location: 32.517135, -90.028908 Ending Location: \_\_\_\_\_

Length of Project: 1 Sq Ft Section: \_\_\_\_\_ Township: \_\_\_\_\_ Range: \_\_\_\_\_

Description of Work: Installation of 1 ALPR camera

\_\_\_\_\_  
\_\_\_\_\_  
\_\_\_\_\_

Check Box if Appendix 1 is to be included as a part of this Application

Whereas the above stated Utility makes application to the **Madison County Board of Supervisors** for a Construction Permit. Attached hereto are drawings and plans for the construction of the above facilities located within Madison County owned public rights-of-way. Once stamped by the Madison County Engineering Department, these plans shall not be changed or altered without written approval of the County Engineer, or his representative. A copy of the approved permit and plans shall be on-site at all times during construction.

The Applicant Utility shall comply with all policies, procedures and construction practices as outlined in *A Policy for The Accommodation of Utility Facilities within the Right-of-Way of all Public County Roads* (hereinafter referred to as the "Policy"), as adopted on November 1, 2005, by the **Madison County Board of Supervisors**, and which is hereby made a part of this Application Agreement.

If facilities are to be located within the Rights-of-Way of the County-Federal or State Aid System, Applicant Utility also agrees to comply with applicable provisions of *S.O.P. No. SA II-2-8, Accommodation of Utilities on Rights-of-Way*, issued by the State Aid Engineer and dated July 1, 2005.

The Applicant Utility understands and agrees that, except as herein granted, no right, title, claim, or easement to said road right-of-way is granted by the issuance of this permit. If this Utility is listed in the general provisions of the Policy, it will be adjusted to comply with same without cost to the County, unless the variance from the Policy has been approved by the granting of the Permit pursuant to this Application.

The Applicant Utility further understands that the Utility's engineering, plant, or other personnel will be responsible for the staking and construction supervision of the work set out above and as shown on the attached plans. If work impacts traffic in any way, the appropriate traffic control shall be installed per the *Manual of Uniform Traffic Control Devices*, Latest Edition.

The Applicant Utility understands that the County Engineer, or his representative, may issue a Stop Work Order at any time if it is deemed that site conditions are not suitable for construction or if any of the requirements of this permit are not being met.

Many County Roads have variable Rights-of-Way and/or no Right-of-Way at all and are maintained under a Prescriptive Easement. It is the sole responsibility of the Applicant Utility to verify the existence and limits of public rights-of-way. If none exists, it is the

responsibility of the Applicant Utility to acquire an easement for their Facilities from the applicable property owner(s). Madison County in no way verifies the limits of Right-of-Way as shown on the permit application.

The Applicant Utility shall be responsible for all future maintenance and repair of the facilities installed under this permit. The Applicant Utility shall make future adjustments to, or relocate, the facilities located within road or highway right-of-way when required for road or highway widening or other road or highway construction at no cost to Madison County. The Applicant Utility shall relocate said utilities within sixty (60) days of notification by County by registered mail, return receipt requested, unless otherwise designated by the County Engineer. Further, any maintenance, repair, or construction shall be done in such a manner as to occasion no unreasonable interference with the normal flow and safety to traffic and at the expense of the utility company. When reasonable care has been taken to locate said utility facilities within the right-of-way, the Applicant Utility understands that any damages caused by routine maintenance and construction by County forces shall be borne by the Applicant Utility.

The Applicant Utility further agrees to indemnify and hold Madison County harmless for any and all claims, accidents, damages, liabilities and expenses occasioned wholly, or in part, by any act or omission of applicant, its agents or employees. In case County shall, without fault on its own part, be made a party to any litigation commenced by or against applicant, then applicant shall protect and hold County harmless, and shall pay all costs, expenses and reasonable attorney's fees incurred or paid by County in connection with said litigation.

All underground facilities shall be installed at a depth equal to or greater than 48" below the lowest adjacent grade.

All pipes carrying liquid shall be encased under County maintained roads.

WITNESS the signature of the Applicant this the 6th day of August, 2024.

By: Katelyn Killian  
(Applicant Signature)

Title: Permitting Associate- Flock Safety

**Note:** Applicant must be an employee of the Utility named in this application. The Madison County Board of Supervisors will not recognize a Contractor, Subcontractor, Agent, or Consulting Engineer as the Applicant. Utility Company shall be fully responsible for all work performed under this application.

I, or my authorized representative, have reviewed this application and determined that the drawing, sketches, and plans submitted by the Applicant meet the requirements of A Policy for The Accommodation of Utility Facilities within the Right-of-Way of all Public County Roads.

**APPROVED**

By By timothy.bryan at 11:14 am, Aug 14, 2024

Tim Bryan, P.E.  
County Engineer

AGREED TO AND APPROVED BY:

\_\_\_\_\_  
Madison County Board President

Date: \_\_\_\_\_

ENTERED INTO THE MINUTES OF THE BOARD OF SUPERVISORS OF MADISON COUNTY, MISSISSIPPI ON THIS

\_\_\_\_\_ DAY OF \_\_\_\_\_, 20\_\_\_\_\_.

**Appendix 1**

County Road Name: \_\_\_\_\_  
Beginning Location: \_\_\_\_\_ Ending Location: \_\_\_\_\_  
Length of Project: \_\_\_\_\_ Section: \_\_\_\_\_ Township: \_\_\_\_\_ Range: \_\_\_\_\_  
Description of Work: \_\_\_\_\_  
\_\_\_\_\_  
\_\_\_\_\_

County Road Name: \_\_\_\_\_  
Beginning Location: \_\_\_\_\_ Ending Location: \_\_\_\_\_  
Length of Project: \_\_\_\_\_ Section: \_\_\_\_\_ Township: \_\_\_\_\_ Range: \_\_\_\_\_  
Description of Work: \_\_\_\_\_  
\_\_\_\_\_  
\_\_\_\_\_

County Road Name: \_\_\_\_\_  
Beginning Location: \_\_\_\_\_ Ending Location: \_\_\_\_\_  
Length of Project: \_\_\_\_\_ Section: \_\_\_\_\_ Township: \_\_\_\_\_ Range: \_\_\_\_\_  
Description of Work: \_\_\_\_\_  
\_\_\_\_\_  
\_\_\_\_\_

County Road Name: \_\_\_\_\_  
Beginning Location: \_\_\_\_\_ Ending Location: \_\_\_\_\_  
Length of Project: \_\_\_\_\_ Section: \_\_\_\_\_ Township: \_\_\_\_\_ Range: \_\_\_\_\_  
Description of Work: \_\_\_\_\_  
\_\_\_\_\_  
\_\_\_\_\_

County Road Name: \_\_\_\_\_  
Beginning Location: \_\_\_\_\_ Ending Location: \_\_\_\_\_  
Length of Project: \_\_\_\_\_ Section: \_\_\_\_\_ Township: \_\_\_\_\_ Range: \_\_\_\_\_  
Description of Work: \_\_\_\_\_  
\_\_\_\_\_  
\_\_\_\_\_

**LICENSE PLATE READER CAMERA INSTALLATION**

**CASE NUMBER: 00655333**  
**PERMITTING JURISDICTION:**  
**Canton (City of)**

**Canton (City of)**  
**ON BEHALF OF**  
**MS - Deerfield**

[THIS SPACE LEFT INTENTIONALLY BLANK FOR STAMP]

**CONTACT LIST**

**PERMITTING**

katelyn.killian@flocksafety.com

**PROJECT MANAGER**

adaisha.allen@flocksafety.com

SEE APPROVED PERMIT FOR LISTED INSPECTOR\*

MS - Deerfield

00655333

Flock Safety  
 1170 HOWELL MILL ROAD SUITE 210  
 ATLANTA, GA 30318

REV	DATE	BY	DESCRIPTION
-	-	-	-
-	-	-	-
-	-	-	-
-	-	-	-
0	06/25/2024	FLK	PRELIM

I HEREBY CERTIFY THIS DOCUMENT WAS PREPARED BY MYSELF OR UNDER MY DIRECT SUPERVISION AND THAT I AM A DULY REGISTERED ENGINEER UNDER THE LAWS OF THE STATE OF MISSISSIPPI

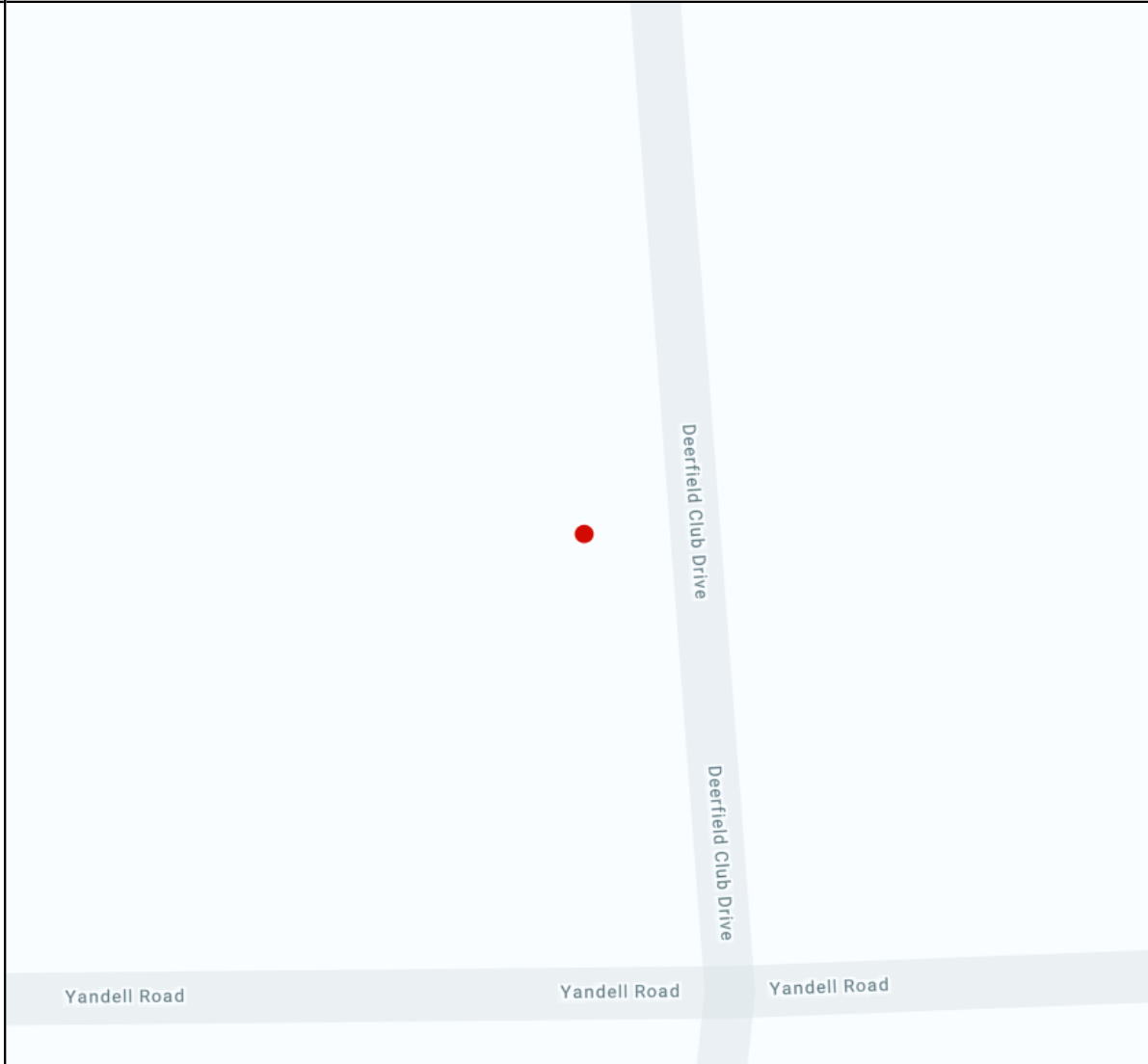
[THIS SPACE LEFT INTENTIONALLY BLANK FOR STAMP]

LICENSE PLATE READER CAMERA INSTALLATION  
 CASE NUMBER: 00655333  
 PERMITTING JURISDICTION: Canton (City of)

**COVER SHEET & LOCATION MAPS**

SHEET:  
**T.01**

REV:  
**0**



**DRAWING INDEX**

T.01	COVER SHEET & LOCATION MAPS
GN.01	GENERAL NOTES
A.01	PLAN DRAWINGS
SPEC.01 - SPEC.03	EQUIPMENT & FOUNDATION DETAILS



**Know what's below.**  
**Call before you dig.**

**GENERAL & CONSTRUCTION NOTES**

- ALL CONSTRUCTION SHALL BE IN ACCORDANCE WITH STATE AND LOCAL AGENCY SPECIFICATIONS UNLESS SPECIFICALLY STATED OR SHOWN OTHERWISE HEREIN.
- ALL WORK SHALL CONFORM TO ALL APPLICABLE ELECTRICAL CODES EXCEPT WHEN STATE DEPARTMENT OF TRANSPORTATION AND LOCAL AGENCY STANDARDS SUPERSEDE.
- CONTRACTOR SHALL ENSURE ALL PROPOSED EQUIPMENT INSTALLED IS IN ACCORDANCE WITH NESC REQUIREMENTS AND CLEARANCES.
- ALL CONSTRUCTION AND/OR MAINTENANCE ON THE MISSISSIPPI DEPARTMENT OF TRANSPORTATION RIGHT OF WAY SHALL CONFORM TO THE FEDERAL MANUAL ON UNIFORM TRAFFIC DEVICES, THE MISSISSIPPI DEPARTMENT OF TRANSPORTATION ROADWAY AND TRAFFIC DESIGN STANDARD SPECIFICATIONS FOR ROAD AND BRIDGE CONSTRUCTION, PLANS PREPARATION MANUAL AND DRAINAGE MANUAL.
- THE PERMITTING AGENCY RESERVES THE RIGHT TO MAKE ADJUSTMENTS TO ANY PERMITTED METHODS OF INSTALLATION, SCOPE OF WORK AND RESTORATION THAT MAY BE REQUIRED TO POSITIVELY SUPPORT LIFE, SAFETY AND ENVIRONMENTAL WELL BEING OF ALL USERS OF THE TRANSPORTATION SYSTEM.
- SHOULD A CONFLICT ARISE BETWEEN THE DETAILS SHOWN IN THE PLANS AND THE DEPARTMENT OF TRANSPORTATION STANDARDS, THE ENGINEER/PERMITTEE SHALL IMMEDIATELY CONFER WITH THE DEPARTMENT'S ENGINEER IN ORDER TO RESOLVE THE DISCREPANCY. IN NO CASE WILL ANYTHING LESS THAN THE DEPARTMENTS MINIMUM STANDARDS BE ALLOWED.
- FLOCK SAFETY SHALL BE RESPONSIBLE FOR LOCATING ALL UNDERGROUND UTILITIES 48 HOURS PRIOR TO CONSTRUCTION.
1. INSTALLS INVOLVING FLOCK SAFETY PROVIDED POLES, A MINIMUM OF 2' SEPARATION SHALL BE MAINTAINED FROM ALL EXISTING UTILITIES AND STORM DRAIN STRUCTURES.
- THE PERMITTED WORK SCHEDULE IS DEFINED AS MONDAY THROUGH FRIDAY 7:00AM TO 5:30PM UNLESS OTHERWISE NOTED WITHIN THE PERMIT. ANY WORK DESIRED OUTSIDE OF THIS PERIOD MUST BE REQUESTED IN ADVANCE AND APPROVED BEFORE WORKING THE ALTERNATE SCHEDULE.
- FLOCK SAFETY SHALL BE RESPONSIBLE TO APPLY AND OBTAIN AN APPROVED TRAFFIC CONTROL PLAN IN ACCORDANCE WITH MUTCD AND LOCAL STANDARDS AS REQUIRED.
- WORK INVOLVING TEMPORARY LANE CLOSURES ARE TO BE DONE BETWEEN THE HOURS OF 8:00AM AND 5:00PM. MONDAY THROUGH FRIDAY UNLESS OTHERWISE STATED BY THE DEPARTMENT OF TRANSPORTATION.
- CONTRACTOR SHALL PROVIDE SAFE ACCESS PER CURRENT GENERAL STANDARDS FOR ALL PEDESTRIAN TRAFFIC REGULATIONS ON ALL EXCAVATIONS OPENED IN THE TRAFFIC ZONE CONTROL AREA.
- NO PEDESTRIAN PATHWAY IS TO BE REMOVED, BLOCKED, OR DISTURBED WITHOUT HAVING A SUFFICIENT DESIGNATED TEMPORARY PEDESTRIAN PATHWAY WITH ALL APPROPRIATE PEDESTRIAN MAINTENANCE OF TRAFFIC SIGNS IN PLACE PRIOR TO PATHWAY BEING AFFECTED.
- 2.1. ALL TEMPORARY PEDESTRIAN PATHWAYS MUST BE FIRM AND UNYIELDING.
- CONTRACTOR SHALL MAINTAIN ACCESS TO ALL ADJACENT PROPERTY IN THE VICINITY OF THE CONSTRUCTION.
- NO WORK SHALL BE PERFORMED DURING THE WEEKS OF ANY STATE OR FEDERAL HOLIDAYS UNLESS OTHERWISE APPROVED BY THE MISSISSIPPI DEPARTMENT OF TRANSPORTATION.
- ALL WORK ZONES ARE TO BE SET UP AND MAINTAINED BY SOMEONE WHO HAS THE MISSISSIPPI DEPARTMENT OF TRANSPORTATION INTERMEDIATE TRAFFIC CONTROL LEVEL TRAINING OR EQUIVALENT.
- THE PERMITTING AGENCY RETAINS THE RIGHT TO MAKE ALTERATIONS TO THE PERMIT, ATTACHED SKETCH OR CHARACTER OF WORK AS MAY BE CONSIDERED NECESSARY OR DESIRABLE DURING THE PROGRESS OF THE WORK FOR SATISFACTORY COMPLETION OF THE PROPOSED CONSTRUCTION.
- THE PERMITTEE SHALL NOTIFY THE PERMITTING AGENCY OF DATE OF COMPLETION, REQUEST A FINAL INSPECTION AND A NOTICE OF FINAL ACCEPTANCE.
- IF THE PROPOSED CANNOT BE INSTALLED PER THE APPROVED PERMITTED PLAN AND BY GENERAL SPECIFICATIONS, A REVISED PLAN MUST BE PROVIDED TO THE DEPARTMENT FOR REVIEW AND APPROVAL PRIOR TO THE INSTALLATION OF PRODUCTS OR MATERIALS AT THE GIVEN LOCATIONS WHERE CONFLICTS OCCUR.
- CONTRACTOR SHALL RESTORE RIGHT-OF-WAY TO EQUAL OR BETTER CONDITION UPON COMPLETION OF WORK AND TO THE SATISFACTION OF THE STATE DEPARTMENT OF TRANSPORTATION AND LOCAL AGENCY AT NO ADDITIONAL COMPENSATION.
1. RESTORATION MAY INCLUDE BUT IS NOT LIMITED TO GRADING AND SODDING IN ANY DISTURBED AREA.
2. ANY SIDEWALK DISTURBED WILL BE REPLACED BY SECTION WITHIN 72 HOURS TO THE STATE DEPARTMENT OF TRANSPORTATION SPECIFICATIONS.
- IT WILL BE THE RESPONSIBILITY OF THE PERMITTEE TO REPAIR ANY DAMAGE TO GENERAL FACILITIES AND/OR PRIVATE PROPERTY CAUSED BY CONSTRUCTION OF THE PROJECT.
- ALL ROADWAY PAVEMENT, CURBS, GUTTERS AND STORM WATER COLLECTORS WILL BE KEPT FREE OF MUD AND OTHER DEBRIS AT ALL TIMES DURING CONSTRUCTION.
- NO STOCKPILING, STORING OR SEMI PERMANENT USE OF THE RIGHT OF WAY IS AUTHORIZED UNLESS SPECIFICALLY IDENTIFIED WITHIN THE PERMIT.
- THE CONTRACTOR SHALL HAVE AN AUTHORIZED PERSON AVAILABLE AT/OR NEAR THE WORK SITE TO ADDRESS EMERGENCY ISSUES ASSOCIATED WITH THE PROJECT.

**ADA COMPLIANCE NOTES**

- ALL SIDEWALK CONSTRUCTION SHALL BE IN ACCORDANCE WITH ADA TITLE II AND ALL STATE DEPARTMENT OF TRANSPORTATION AND LOCAL STANDARDS. USE STATE DEPARTMENT OF TRANSPORTATION CURRENT EDITION STANDARDS FOR PEDESTRIAN CONTROL PLANS FOR CLOSURE OF SIDEWALK.
- MINIMUM SIDEWALK CLEAR PEDESTRIAN ACCESS ROUTE (PAR) IS 48" WIDE.
- NO OBSTRUCTION IS PERMITTED ALONG THE WIDTH OF THE SIDEWALK UP TO 7'-0" IN HEIGHT.

**DRAWINGS**

1. THE WORK SHALL BE PERFORMED IN STRICT ACCORDANCE WITH THE FOLLOWING ATTACHED DRAWINGS THAT ARE HEREBY MADE A PART OF THE STATEMENT OF WORK, BY THIS REFERENCE.

**SPECIFICATIONS**

1. THE WORK SHALL BE PERFORMED IN STRICT ACCORDANCE WITH THE SPECIFICATIONS CONTAINED IN THAT CERTAIN "MASTER AGREEMENT, OUTSIDE PLANT MAINTENANCE CONSTRUCTION SERVICES," PROVIDED THAT SUCH AN AGREEMENT EXISTS BETWEEN FLOCK SAFETY AND CONTRACTOR. IN THE ABSENCE OF SUCH AN AGREEMENT, THE SPECIFICATIONS CONTAINED IN AN AGREEMENT TO BE EXECUTED BY THE PARTIES PRIOR TO THE COMMENCEMENT OF WORK SHALL GOVERN.

**MATERIALS**

- INSTALLER SHALL RECEIVE FLOCK SAFETY MATERIALS AT A FLOCK SAFETY LEASED WAREHOUSE FACILITY OR AT THE LOCAL TSO LOCATED AT (CONTACT 24 HOURS IN ADVANCE): 1170 HOWELL MILL RD NW, ATLANTA, GA 30318.
  - ALL UNUSED AND REQUESTED SALVAGED MATERIAL TO BE RETURNED TO SAME ADDRESS.
- THE RECEIPT OF ALL MATERIALS SHALL BE CONSTRUED AS CONCLUSIVE EVIDENCE THAT THE CONTRACTOR HAS MADE ALL NECESSARY EXAMINATION AND INSPECTIONS, AND IS SATISFIED AS TO THE QUALITY AND QUANTITY OF MATERIALS RECEIVED.
- ANY AND ALL MATERIALS THAT MAY BECOME LOST, STOLEN OR DAMAGED SHALL BE REPLACED BY THE CONTRACTOR AT THE CONTRACTOR'S SOLE EXPENSE, AND ANY DELAY INCURRED SHALL NOT BE CAUSE FOR AN EXTENSION IN TIME

**SAFETY AND PRECAUTIONS**

- ALL PERSONNEL ARE REQUIRED TO ABIDE BY ALL RULES AND REGULATIONS SET FORTH IN THE FLOCK SAFETY REQUIREMENTS, RAILROAD SAFETY CODE AND GOVERNING JURISDICTION.
- THE WORK UNDER THIS INSTALLATION WILL BE CONSTRUCTED ALONG RIGHTS OF WAY THAT MAY CONTAIN EXISTING AND OPERATIONAL UTILITIES. THE CONTRACTOR SHALL BE FULLY RESPONSIBLE FOR LOCATING EXISTING UTILITIES AND FOR COMPLIANCE WITH THE REQUIREMENTS OF ANY STATEWIDE AND / OR LOCAL AREA IN ADVANCE OF ANY EXCAVATION, BORING OR PLACING WORK AND THE CONTRACTOR SHALL LOCATE AND EXPOSE BY HAND ALL EXISTING SUBSURFACE PLANT. ANY DAMAGE CAUSED BY THE CONTRACTOR SHALL BE REPAIRED BY THE CONTRACTOR AT THE CONTRACTOR'S SOLE EXPENSE AND ANY DELAY INCURRED SHALL NOT BE CAUSE FOR AN EXTENSION IN THE TIME OF THE CONTRACT.
- INSTALLER SHALL BE RESPONSIBLE FOR THE PROTECTION AND MAINTENANCE OF PUBLIC AND PRIVATE PROPERTIES. INSTALLER SHALL PROTECT, SHORE, BRACE, SUPPORT AND MAINTAIN ALL UNDERGROUND PIPES, CONDUITS, DRAINS AND OTHER SUBSURFACE STRUCTURES UNCOVERED OR OTHERWISE AFFECTED BY THE WORK.
- INSTALLER SHALL BE RESPONSIBLE FOR ALL DAMAGE TO STREETS, ROADS, HIGHWAYS, SHOULDERS, DITCHES, EMBANKMENTS, CULVERTS, BRIDGES OR OTHER PUBLIC OR PRIVATE PROPERTY OR FACILITY, REGARDLESS OF LOCATION OR CHARACTER, WHICH MAY BE CAUSED BY THE WORK, OR BY MOVING, HAULING, OR OTHERWISE TRANSPORTING EQUIPMENT, MATERIALS OR WORKERS TO OR FROM WORK OR ANY SITE THEREOF, WHETHER BY THE CONTRACTOR OR SUBCONTRACTORS.

**STAKING AND SCHEDULING**

- ALL STAKING WILL BE PROVIDED BY FLOCK SAFETY. REQUIRED RIGHT OF WAY CLEARING SHALL BE COMPLETED PRIOR TO STAKING; THEREFORE, THE INSTALLER SHALL COORDINATE ALL CLEARING AND PLACING OPERATIONS WITH THE FLOCK SAFETY PROJECT SUPERVISOR TO AVOID DELAYS AND INTERFERENCE.
- FLOCK SAFETY WILL PROVIDE RAILROAD, FLAGMEN AND SIGNALMEN AS REQUIRED; HOWEVER, THE CONTRACTOR SHALL BE REQUIRED TO COORDINATE ITS NEEDS FOR SUCH SIGNALMEN AND FLAGMEN WITH FLOCK SAFETY.
- IN ADDITION TO THE SCHEDULING REQUIREMENTS IN THE GENERAL PROVISIONS, UPON REQUEST THE CONTRACTOR SHALL ALSO SUBMIT TO THE FLOCK SAFETY PROJECT SUPERVISOR, DAILY CREW ASSIGNMENT REPORTS SPECIFYING CREW AND CREW COMPOSITION AND WORK LOCATION.

**PERMITS**

- FLOCK SAFETY HAS OBTAINED OR WILL OBTAIN PERMITS FROM DEPARTMENTS AND/OR AGENCIES OF CITIES, COUNTIES, STATES, FEDERAL GOVERNMENT, RAILROAD OR OTHER ENTITIES, WHICH PROVIDE FOR THE PLACING OF PIPES AND/OR CABLE UNDER DITCH, TRACKS AND ROADS AND PLACING PIPES AND/OR CABLE ALONG AND WITHIN PUBLIC OR PRIVATE ROAD RIGHTS OF WAY AND RAILROAD RIGHTS.
- CONTRACTOR SHALL OBTAIN ADDITIONAL PERMITS, IF REQUIRED, FOR EQUIPMENT ACCESS OR MOVEMENT ON PUBLIC ROADS AND RAILROADS. COPIES OF SUCH PERMITS SHALL BE FURNISHED TO FLOCK SAFETY. ALL TRAFFIC CONTROL, IF APPLICABLE, SHALL BE IN ACCORDANCE WITH LOCAL, STATE, COUNTY, OR PERMITTING AGENCY LAWS, REGULATIONS, AND REQUIREMENTS, AND WILL BE THE CONTRACTOR'S RESPONSIBILITY. TRAFFIC CONTROL PLANS PROVIDED BY CURRENT MISSISSIPPI DEPARTMENT OF TRANSPORTATION DESIGN STANDARDS.

**SCOPE OF WORK**

1. THIS PROJECT SHALL CONSIST OF THE FOLLOWING OPERATIONS: THE WORK PACKAGE IS FOR THE INSTALLATION OF FLOCK SAFETY ALPR CAMERAS WHICH INCLUDES BUT IS NOT LIMITED TO: FLOCK SAFETY PROVIDED POLES, POLE MOUNTED SOLAR PANELS, AND EXTERNAL BATTERY PACKAGES.

[THIS SPACE LEFT INTENTIONALLY BLANK FOR STAMP]

MS - Deerfield

00655333

Flock Safety  
1170 HOWELL MILL ROAD SUITE 210  
ATLANTA, GA 30318

REV	DATE	BY	DESCRIPTION
-	-	-	-
-	-	-	-
-	-	-	-
-	-	-	-
0	06/25/2024	FLK	PRELIM

I HEREBY CERTIFY THIS DOCUMENT WAS PREPARED BY MYSELF OR UNDER MY DIRECT SUPERVISION AND THAT I AM A DULY REGISTERED ENGINEER UNDER THE LAWS OF THE STATE OF MISSISSIPPI

[THIS SPACE LEFT INTENTIONALLY BLANK FOR STAMP]

LICENSE PLATE READER CAMERA INSTALLATION  
CASE NUMBER: 00655333  
PERMITTING JURISDICTION: Canton (City of)

COVER SHEET & LOCATION MAPS	
SHEET: <b>GN.01</b>	REV: <b>0</b>

FLOCK LOCATION DETAILS

LOCATION NAME: S#002 Deerefield Club Dr @ Yandell Rd Outbound/SB  
 GEOGRAPHIC COORDINATES:  
 32.51713450132815,-90.02890778530234



STREET NAME/SR #	SPEED LIMIT	TRAFFIC VOLUME	EOP DISTANCE
597 Deerfield Club Dr	25	1050	5 ft



[THIS SPACE LEFT INTENTIONALLY BLANK FOR STAMP]

MS - Deerfield

00655333

Flock Safety  
 1170 HOWELL MILL ROAD SUITE 210  
 ATLANTA, GA 30318

REV	DATE	BY	DESCRIPTION
-	-	-	-
-	-	-	-
-	-	-	-
-	-	-	-
0	06/25/2024	FLK	PRELIM

I HEREBY CERTIFY THIS DOCUMENT WAS PREPARED BY MYSELF OR UNDER MY DIRECT SUPERVISION AND THAT I AM A DULY REGISTERED ENGINEER UNDER THE LAWS OF THE STATE OF MISSISSIPPI

[THIS SPACE LEFT INTENTIONALLY BLANK FOR STAMP]

LICENSE PLATE READER CAMERA INSTALLATION

CASE NUMBER: 00655333  
 PERMITTING JURISDICTION: Canton (City of)

COVER SHEET & LOCATION MAPS

SHEET: <b>A.01</b>	REV: <b>0</b>
-----------------------	------------------

**DESIGN NOTES**

1. POLE AND FOUNDATIONS ARE DESIGNED IN ACCORDANCE WITH THE FOLLOWING CODES:
  - 1.1. 2009/2012/2015/2018/2021 INTERNATIONAL BUILDING CODE
  - 1.2. AASHTO LRFD SPECIFICATIONS FOR STRUCTURAL SUPPORT FOR HIGHWAY SIGNS, LUMIN, TRAFFIC SIGNALS, 2015 EDITION.
2. POLE ANALYSIS AND FOUNDATION DESIGN ARE BASED ON THE FOLLOWING CRITERIA
  - 2.1. DESIGN WIND SPEED (Vult): (SEE SECTION 2.6)
  - 2.2. RISK CATEGORY: II
  - 2.3. EXPOSURE CATEGORY: C
  - 2.4. TOPOGRAPHIC CATEGORY: 1
  - 2.5. SEISMIC DESIGN CRITERIA:
    - 2.5.1. SOIL SITE CLASS: D (ASSUMED)
    - 2.5.2. SPECTRAL RESPONSE, S<sub>s</sub>: 1.000g (MAXIMUM)
    - 2.5.3. SPECTRAL RESPONSE, S<sub>1</sub>: 0.400G (MAXIMUM)
    - 2.5.4. SEISMIC DESIGN CATEGORY: B
  - 2.6. STRUCTURE BASE REACTIONS ARE CALCULATED AS FOLLOWS:

DESIGN WIND SPEED (MPH)	MOMENT (K-FT)	SHEAR (KIP)	AXIAL (KIP)
115	2.70	0.280	0.160
125	3.20	0.330	0.160
135 (MAX)	3.70	0.380	0.160

- 2.7. SHOULD ANY OF THE SITE-SPECIFIC PARAMETERS BE HIGHER THAN WHAT IS NOTED ABOVE, THE EOR SHALL BE CONTACTED TO PROVIDE A REVISED DESIGN.
3. CONTRACTOR IS RESPONSIBLE FOR VERIFYING SOIL CONDITIONS PRIOR TO INSTALLATION.
4. FOUNDATION TO CONSIST OF CONCRETE SURROUNDING THE PROPOSED POLE WITH A MINIMUM OF 3,000-PSI COMPRESSIVE STRENGTH.

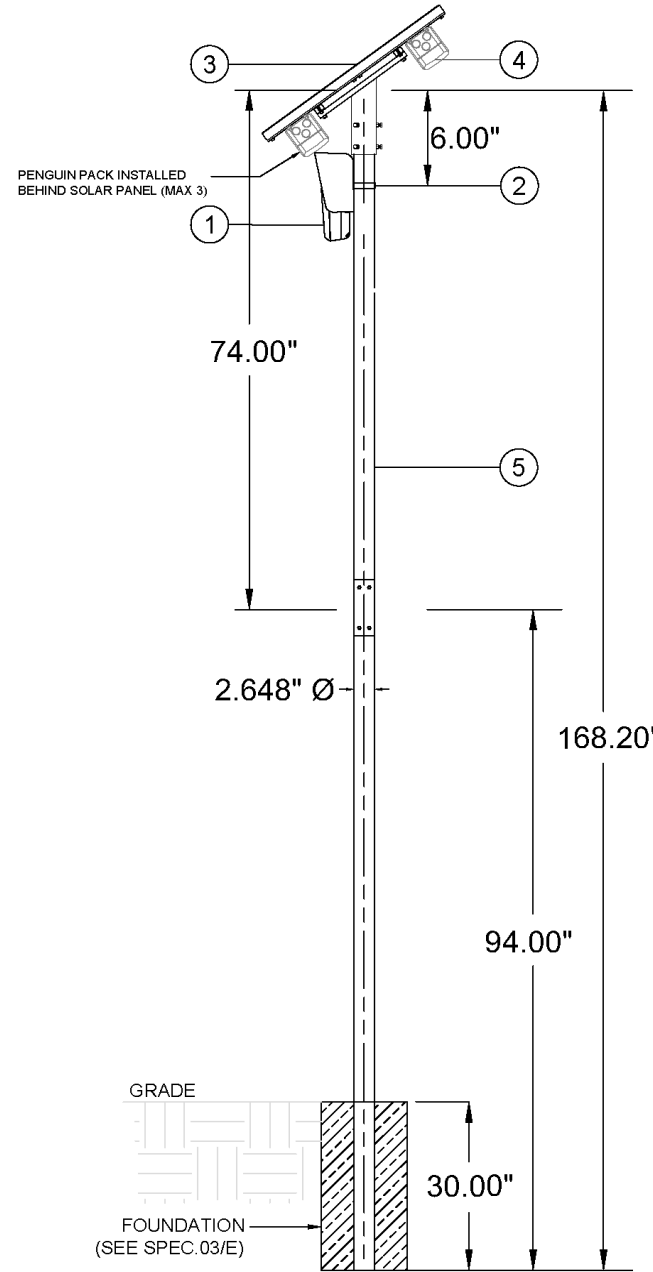
**GENERAL & CONSTRUCTION NOTES**

1. CONTRACTOR SHALL CONTACT DESIGNATED AGENCY TO LOCATE ALL UNDERGROUND UTILITIES PRIOR TO CONSTRUCTION.
2. CONTRACTOR SHALL APPLY AND OBTAIN AN APPROVED TRAFFIC CONTROL PLAN IN ACCORDANCE WITH MUTCD AND LOCAL JURISDICTION STANDARDS.
3. CONTRACTOR SHALL RESTORE ALL DISTURBED AREAS TO ORIGINAL SITE CONDITION TO THE SATISFACTION OF STATE DEPARTMENT OF TRANSPORTATION AND LOCAL JURISDICTION.
4. ALL WORK SHALL CONFORM TO APPLICABLE ELECTRICAL CODES EXCEPT WHEN STATE DEPARTMENT OF TRANSPORTATION OR LOCAL JURISDICTION STANDARDS SUPERSEDE.
5. ALL CONSTRUCTION SHALL BE IN ACCORDANCE WITH SPECIFICATIONS DEFINED BY THE STATE DEPARTMENT OF TRANSPORTATION OR LOCAL JURISDICTION, UNLESS SPECIFICALLY STATED OR SHOWN OTHERWISE HEREIN.

**ADA COMPLIANCE NOTES**

1. ALL SIDEWALK CONSTRUCTION SHALL BE IN ACCORDANCE WITH ADA TITLE II, STATE DEPARTMENT OF TRANSPORTATION, AND LOCAL JURISDICTION STANDARDS.
2. STATE DEPARTMENT OF TRANSPORTATION CURRENT EDITION STANDARDS SHALL BE USED FOR PEDESTRIAN CONTROL PLANS WHEN CLOSURE OF SIDEWALK IS REQUIRED FOR CONSTRUCTION.
3. MINIMUM CLEAR PEDESTRIAN ACCESS ROUTE (PAR) SHALL BE 48" WIDE.
4. NO OBSTRUCTION IS PERMITTED ALONG THE WIDTH OF THE SIDEWALK, UP TO AN ELEVATION OF 7'-0" ABOVE GRADE.

ITEM NO.	PART NUMBER	DESCRIPTION	TOTAL WEIGHT (LB)	QTY.
1	701-0059	FLOCK SAFETY CAMERA	3.6	1
2	201-00087	MOUNTING CLAMP	2.0	1
3	205-00010	80W SOLAR KIT	17.0	1
4	702-00028	PENGUIN PACK	4	3 (MAX)
5	1020-01	STYLE 7 COUPLER ASSEMBLY	168.42	1



**1 POLE ELEVATION DETAIL**

SCALE: N/A

[THIS SPACE LEFT INTENTIONALLY BLANK FOR STAMP]

MS - Deerfield  
00655333

Flock Safety  
1170 HOWELL MILL ROAD SUITE 210  
ATLANTA, GA 30318

REV	DATE	BY	DESCRIPTION
-	-	-	-
-	-	-	-
-	-	-	-
0	06/25/2024	FLK	PRELIM

I HEREBY CERTIFY THIS DOCUMENT WAS PREPARED BY MYSELF OR UNDER MY DIRECT SUPERVISION AND THAT I AM A DULY REGISTERED ENGINEER UNDER THE LAWS OF THE STATE OF MISSISSIPPI

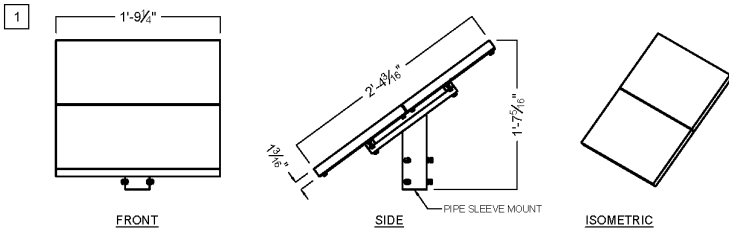
[THIS SPACE LEFT INTENTIONALLY BLANK FOR STAMP]

LICENSE PLATE READER CAMERA INSTALLATION  
CASE NUMBER: 00655333  
PERMITTING JURISDICTION: Canton (City of)

**COVER SHEET & LOCATION MAPS**

SHEET: **SPEC.01** REV: **0**

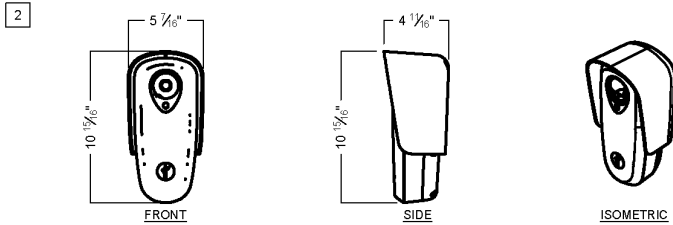




60 WATT SOLAR PANEL DETAIL (TOP MOUNTED)

MOUNTING HARDWARE TO BE PROVIDED BY FLOCK SAFETY

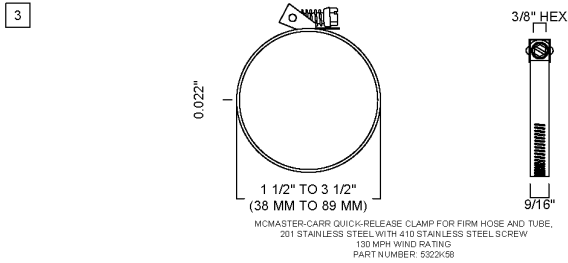
NOT USED



FLOCK SAFETY "FALCON" CAMERA

MOUNTING HARDWARE TO BE PROVIDED BY FLOCK SAFETY

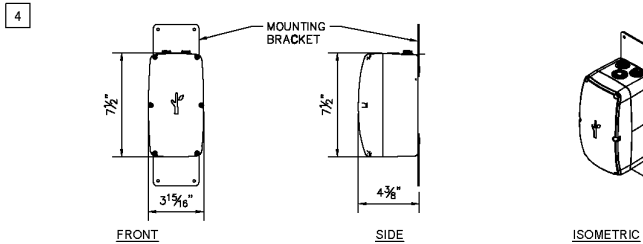
NOT USED



MOUNTING CLAMP

NOTE: LARGER DIAMETER POLES WILL USE AN EQUIVALENT 201 STAINLESS STEEL STRAPPING CUT TO LENGTH.

NOT USED



"PENGUIN" BATTERY PACK

MOUNTING HARDWARE TO BE PROVIDED BY FLOCK SAFETY

NOT USED

[THIS SPACE LEFT INTENTIONALLY BLANK FOR STAMP]

MS - Deerfield  
00655333

Flock Safety  
1170 HOWELL MILL ROAD SUITE 210  
ATLANTA, GA 30318

REV	DATE	BY	DESCRIPTION
-	-	-	-
-	-	-	-
-	-	-	-
-	-	-	-
0	06/25/2024	FLK	PRELIM

I HEREBY CERTIFY THIS DOCUMENT WAS PREPARED BY MYSELF OR UNDER MY DIRECT SUPERVISION AND THAT I AM A DULY REGISTERED ENGINEER UNDER THE LAWS OF THE STATE OF MISSISSIPPI

[THIS SPACE LEFT INTENTIONALLY BLANK FOR STAMP]

LICENSE PLATE READER CAMERA INSTALLATION  
CASE NUMBER: 00655333  
PERMITTING JURISDICTION: Canton (City of)

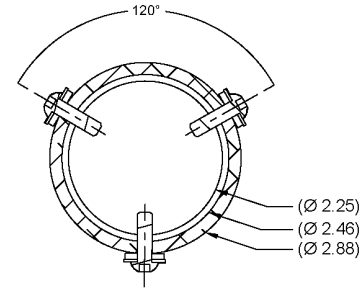
COVER SHEET & LOCATION MAPS

SHEET:  
**SPEC.02**

REV:  
**0**

ITEM NO.	DESCRIPTION	QTY.
1	2.5" SCH 40 2.8750D 74.000L	1
2	2.5 SCH 40 2.8750D 94.000L	1
3	BUT TORX 0.250-.20 TAMPER-RESISTANT	6
4	INSERT SLEEVE STYLE 7 TAPPED	1
5	ORING	1
6	WASHER	6
7	CONCRETE FOOTING	1
8	HBOLT 0.2500-.20	1

PROVELI STYLE 7 COUPLER ASSEMBLY  
 PART #: 1020-01  
 MATERIAL: VARIES  
 WEIGHT: 168.42 LBS  
 DATE: 09/27/2023  
 DO NOT SCALE DRAWINGS (NTS)



SECTION C-C

[THIS SPACE LEFT INTENTIONALLY BLANK FOR STAMP]

MS - Deerfield  
 00655333

Flock Safety  
 1170 HOWELL MILL ROAD SUITE 210  
 ATLANTA, GA 30318

REV	DATE	BY	DESCRIPTION
-	-	-	-
-	-	-	-
-	-	-	-
0	06/25/2024	FLK	PRELIM

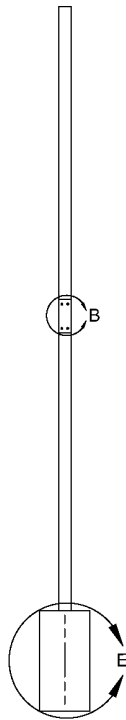
I HEREBY CERTIFY THIS DOCUMENT WAS PREPARED BY MYSELF OR UNDER MY DIRECT SUPERVISION AND THAT I AM A DULY REGISTERED ENGINEER UNDER THE LAWS OF THE STATE OF MISSISSIPPI

[THIS SPACE LEFT INTENTIONALLY BLANK FOR STAMP]

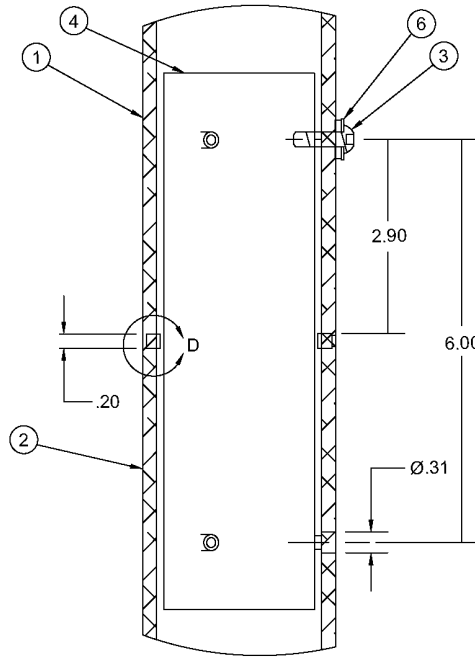
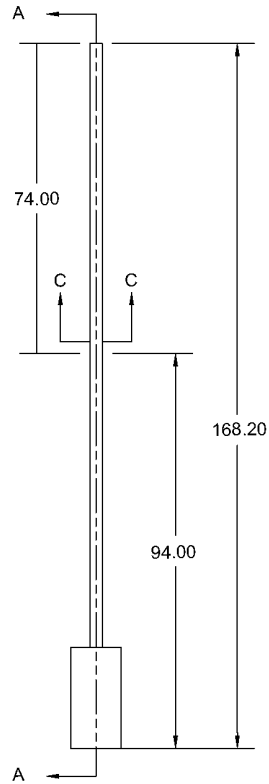
LICENSE PLATE READER CAMERA INSTALLATION  
 CASE NUMBER: 00655333  
 PERMITTING JURISDICTION: Canton (City of)

COVER SHEET & LOCATION MAPS

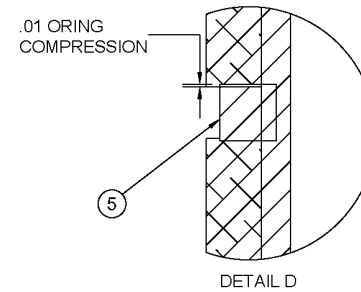
SHEET: SPEC.03  
 REV: 0



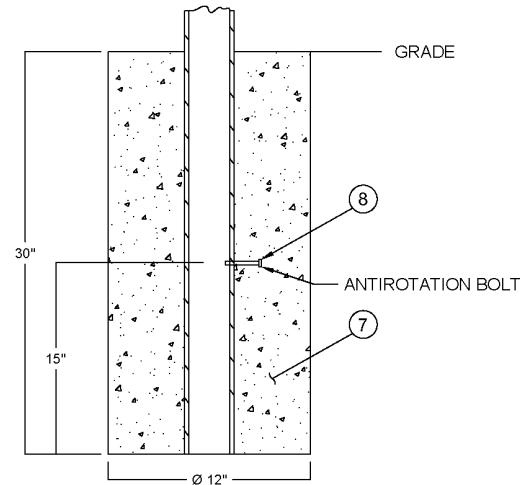
SECTION A-A



DETAIL B



DETAIL D



DETAIL E

NOTE: CONCRETE SHALL HAVE A MINIMUM COMPRESSIVE STRENGTH OF 3,000 PSI.